

# Gyru-Star 3-60E



## Carriers

2 - 4 ton Excavators

4400 - 8800 lbs Excavators

## Weight

240 kg

530 lbs

## Capacity

0.13 m<sup>3</sup>

0.17 yd<sup>3</sup>

## Flow

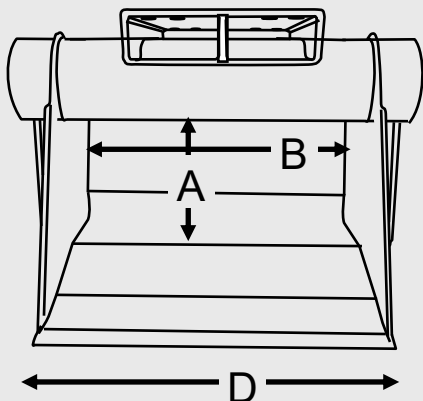
55 l/m

14 gpm

## Pressure

200 bar

2900 PSI



## Screening Area

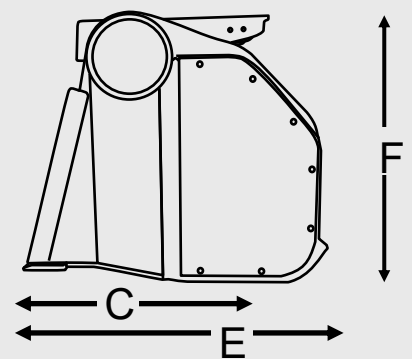
430 x 560 mm 17 x 22 inch

## Dimensions

A 430 mm 17 inch B 560 mm 22 inch

C 500 mm 20 inch D 810 mm 32 inch

E 760 mm 30 inch F 640 mm 25 inch



**True compact screening**

**Low maintenance bucket**

**Poly stars which screen without crushing**

**Large screening area to maximise output**

**Non-Stick Floor as standard**

***Fast efficient screening systems***