

Gyru-Star 3-150HDX



Carriers

7 - 10 ton Excavators
 15400 - 22000 lbs Excavators
 3 - 6 ton Loader Lift Capacity
 6600 - 13200 lbs Loader Lift Capacity

Weight

600 kg
 1320 lbs

Capacity

0.35 m³
 0.46 yd³

Flow

70 l/m
 18 gpm

Pressure

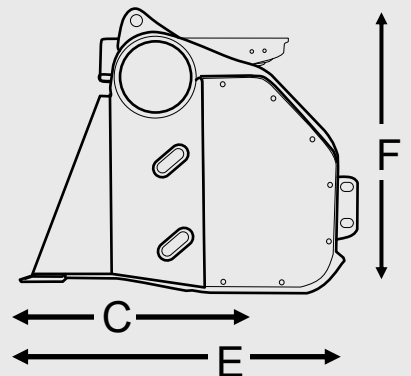
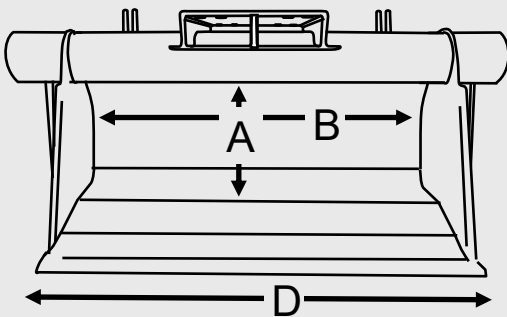
200 bar
 2900 PSI

Screening Area

430 x 1500 mm 17 x 59 inch

Dimensions

A 430 mm 17 inch **B** 1500 mm 59 inch
C 500 mm 20 inch **D** 1870 mm 74 inch
E 760 mm 30 inch **F** 640 mm 25 inch



True compact screening

Low maintenance bucket

Poly stars which screen without crushing

Large screening area to maximise output

Non-stick Floor as standard

Fast efficient screening systems