

# Gyru-Star 3-120HE



## Carriers

5 - 7 ton Excavators  
 11000 - 15400 lbs Excavators  
 2 - 4 ton Loader Lift Capacity  
 4400 - 8800 lbs Loader Lift Capacity

## Weight

405 kg  
 900 lbs

## Capacity

0.26 m<sup>3</sup>  
 0.34 yd<sup>3</sup>

## Flow

65 l/m  
 14 gpm

## Pressure

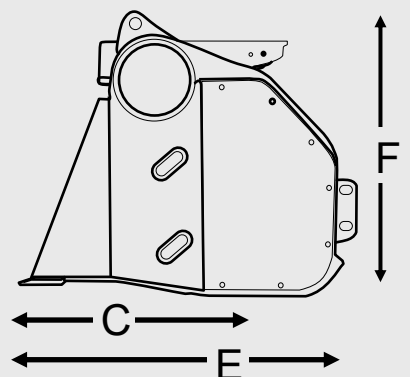
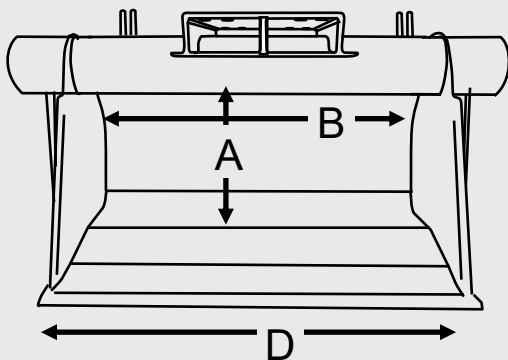
200 bar  
 2900 PSI

## Screening Area

430 x 1200 mm    17 x 47 inch

## Dimensions

**A** 430 mm 17 inch    **B** 1200 mm 47 inch  
**C** 500 mm 20 inch    **D** 1410 mm 55 inch  
**E** 760 mm 30 inch    **F** 640 mm 25 inch



**True compact screening**

**Low maintenance bucket**

**Poly stars which screen without crushing**

**Large screening area to maximise output**

**Non-stick Floor as standard**

***Fast efficient screening systems***