

Gyru-Star 3-100L



Carriers

1 - 2 ton Loaders

2200 - 4400 lbs Loaders

Weight

360 kg

800 lbs

Capacity

0.23 m³

0.30 yd³

Flow

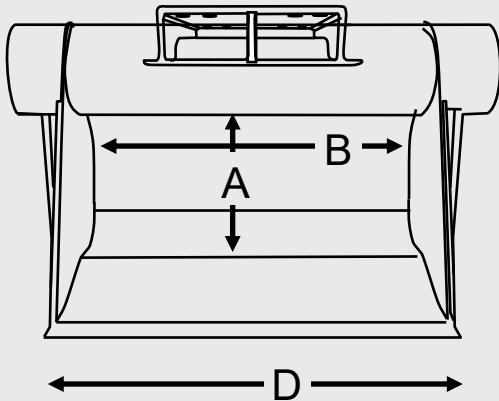
65 l/m

17 gpm

Pressure

200 bar

2900 PSI



Screening Area

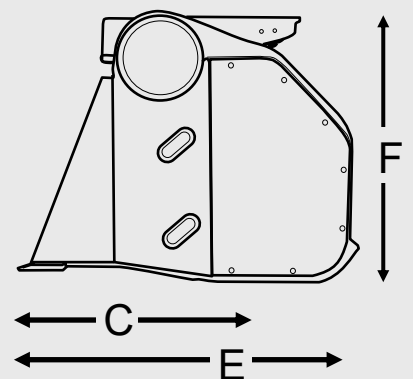
430 x 1000 mm 17 x 39 inch

Dimensions

A 430 mm 17 inch **B** 1000 mm 39 inch

C 500 mm 20 inch **D** 1210 mm 48 inch

E 760 mm 30 inch **F** 640 mm 25 inch



True compact screening

Low maintenance bucket

Poly stars which screen without crushing

Large screening area to maximise output

Non-stick Stainless Steel Floor as standard

Fast efficient screening systems