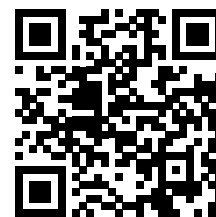


SOLAR PANEL WASHER

<http://tiny.cc/solarpanelwasher>

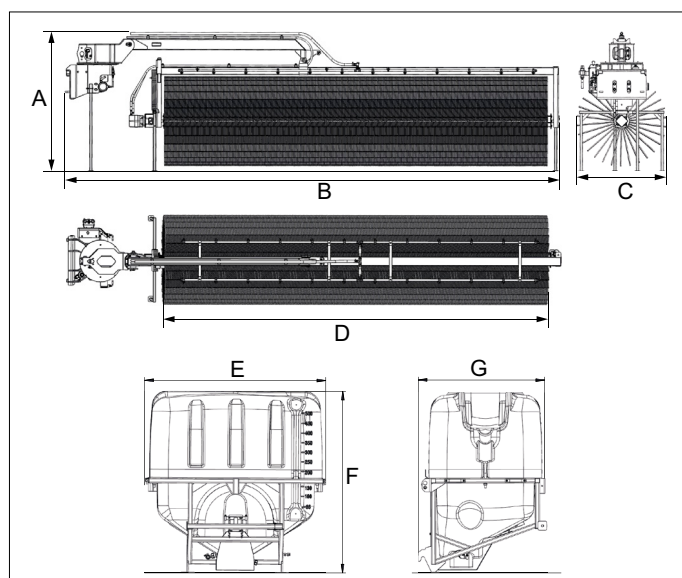


FEATURES & BENEFITS

- Large autonomy
- New non scratch bristles
- Two spray bars (12+12 nozzles)
- New floating system

The MultiOne solar panel washer is designed to clean photovoltaic solar panels and to help maintain and optimize the performance. Utilizing the solar panel washer ensures that solar panels are not losing up to 17% – 25% of power generation due to the accumulation of dirt, dust, and other foreign matter

The big rotary broom with soft bristle let you clean about 4,3 meters quickly, effectively, and without damaging the solar panels. The solar panel washer can clean from 0,7 MW/h to 2 MW/h depending on surface type. The solar panel washer is supplied with two spray bars each with 12 nozzles. Two different types of nozzles with different flow rates are supplied (0,58 l/min-0,15 GPM and 0,65 l/min-0,17 GPM). Also supplied are 12 caps to close the nozzles. The more nozzles that close, the greater the tank autonomy (from 33 min to 1 hour and 12 min).



		Dimensions						
		A	B	C	D	E	F	G
cm		155	552	96	430	120	122	85
in		61	217	38	170	47	48	33

The rotary broom can be rotated to allow easy and quick cleaning of many rows of solar panel arrays.

The new floating system avoids damage to the solar panels and grants an overall better cleaning.

Note: machine must be equipped with ACI.

Model	Brush Length	Tank capacity	Rotation angle	Weight	Code
Solar panel washer	430 cm (170 in)	/	180°	440 kg (970 lbs)	C891293
Tank	/	500 l (132 gal)	/	100 kg (220 lbs)	C891289

Compatibility	1.1	2.3	4.2	5.2	5.3	6.3	7.2	8.4	8.5	11.6	11.9	EZ5	EZ7 EZ8
	Very compatible				Compatible				Not compatible				

