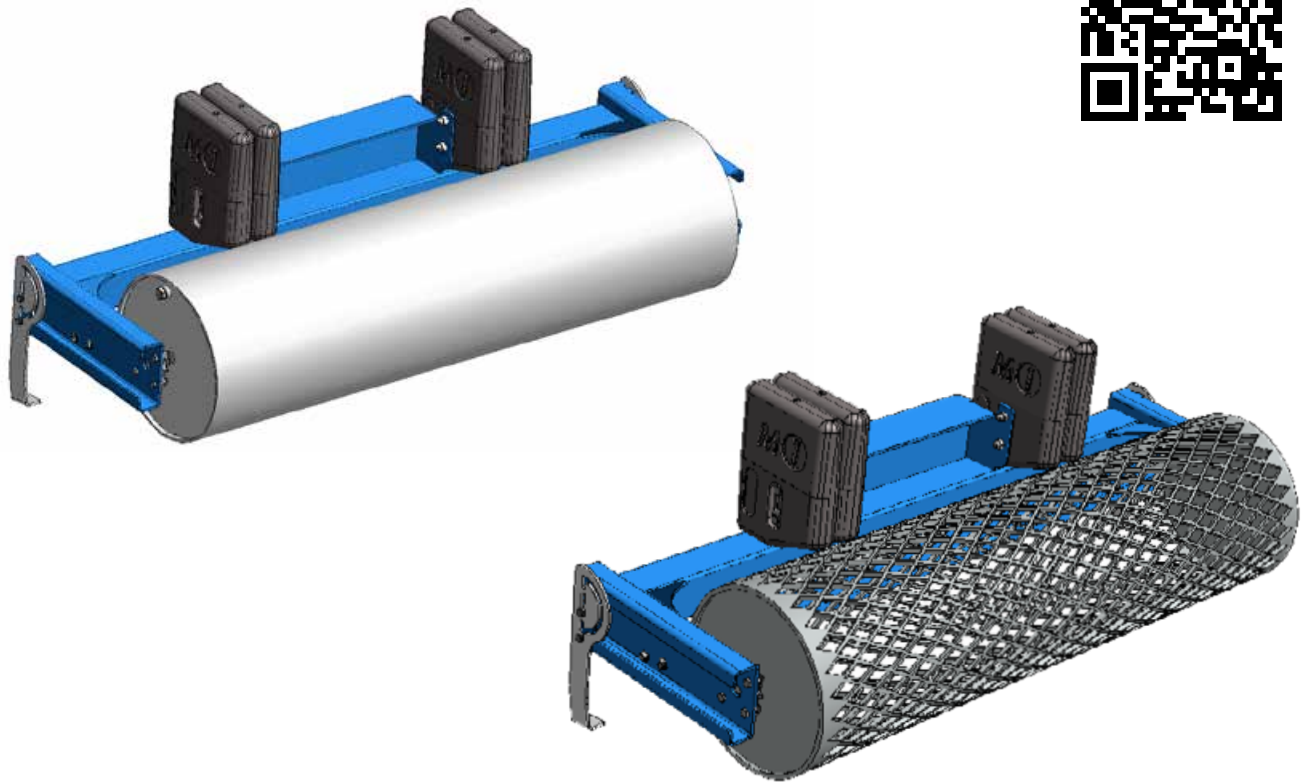
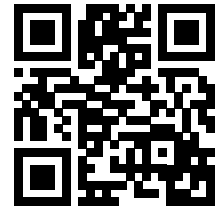


ROLLER

<http://tiny.cc/m1roller>



FEATURES & BENEFITS

- Perfect attachment to compact soils
- Weights can be added to increase compaction
- Two models: mesh and fillable

A simple and inexpensive but incredibly useful and efficient attachment for levelling and compacting of larger areas.

With MultiOne roller you can easily and quickly level sand, mulch etc.

The roller is most commonly used in:

- Preliminary lawn bed levelling and compaction;
- Yard sand compaction;
- Driveway levelling and compaction.

| Model | Volume | Working Width | Weight | Code |
|--------------------------|----------------|------------------|------------------|----------------|
| Plain roller fillable | 178 l (47 gal) | 150 cm (59 in) | 165 kg (364 lbs) | C890930 |
| Mesh roller | / | 152 cm (59.8 in) | 170 kg (375 lbs) | C890931 |
| Options | | | | |
| Rear side weights 160 kg | / | / | 160 kg (352 lbs) | C883077 |

| Compatibility | 1.1 | 2.3 | 4.2 | 5.2 | 5.3 | 6.3 | 7.2 | 8.4 | 8.5 | 11.6 | 11.9 | EZ5 | EZ7 EZ8 |
|-----------------------|-----|-----|-----|-----|-----|-----|-----|-----|-----|------|------|-----|------------|
| Model | | | | | | | | | | | | | |
| Plain roller fillable | | | | | | | | | | | | | |
| Mesh roller | | | | | | | | | | | | | |

Very compatible
 Compatible
 Not compatible

