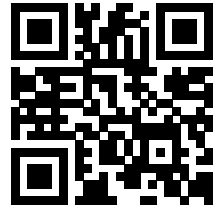


# SCREW FEED PUSHER

<http://tiny.cc/feedpusher>

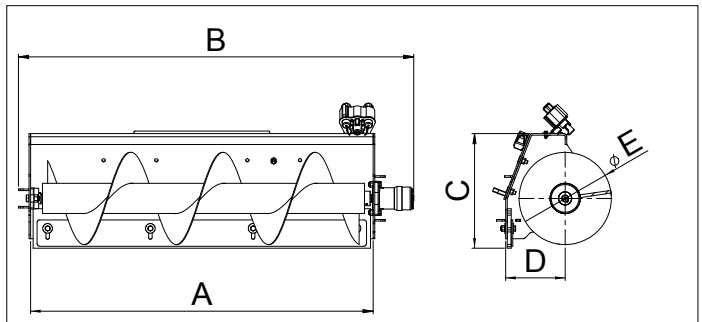


## FEATURES & BENEFITS

- Fast and easy way of moving feed to the animals
- Discharge in the right side
- High efficiency, also on larger farms
- Rear rubber scraper blade

Efficient way of moving uneaten feed back in front of the cattle. When moving, the screw mixes the feed and the fresh feed remains on top.

With the screw feed pusher drive speed can be higher. The rubber scraper blade at the rear of the attachment cleans the floor very efficiently. Once worn out, the rubber blade can be disassembled and reassembled backwards or replaced.



		Dimensions				
		A	B	C	D	E
cm		130	150	44	23	35
in		51.2	59	17.1	8.9	13.8

Model	Working Width	Height	Weight	Code
Screw Feed Pusher	130 cm (51.2 in)	44 cm (17.3 in)	115 kg (254 lbs)	<b>C890250</b>

Compatibility	1.1	2.3	4.2	5.2	5.3	6.3	7.2	8.4	8.5	11.6	11.9	EZ5	EZ7 EZ8



Very compatible
  Compatible
  Not compatible