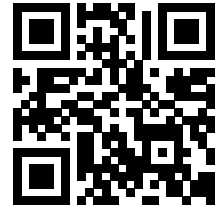


RADIO CONTROLLED BACKHOE

<http://tiny.cc/rcbackhoe>

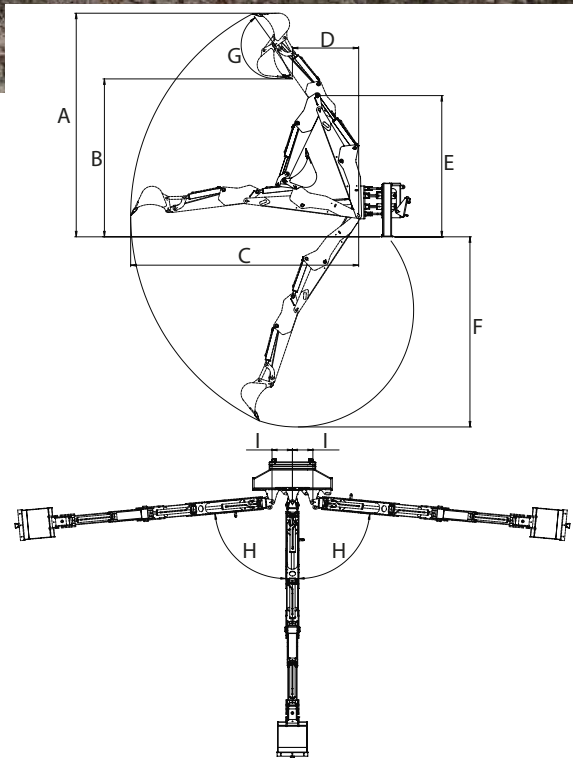


FEATURES & BENEFITS

- Full Visibility
- Proportional controls
- Fast and easy to use

The MultiOne Backhoe it's a best seller attachment: sturdy, reliable with a huge pushing force and almost 180° rotation. MultiOne believes in the continuous improvement: from now on it's available the radio controlled version of MultiOne Backhoe! The proportional controls assure smooth and accurate movements. Thanks to the radio control the operator's seat and hydraulic control are no longer necessary: you can control the backhoe directly from the machine seat or occupy the best position to see the digging area.

It's the best choice to operate on tight spaces and wherever the digging precision it's required. Three models of buckets are available and digging teeth can be installed: 2 teeth for Bucket 25 cm, 3 teeth for Bucket 40 cm and 5 teeth for Bucket 70 cm.



Mod.	A	B	C	D	E	F	G	H	I
215	270 cm (106.4 in)	177 cm (69.5 in)	271 cm (106.6 in)	73 cm (28.7 in)	175 cm (68.8 in)	221 cm (87 in)	172°	85°	27 cm (10.5 in)
260	314 cm (123.6 in)	222 cm (87.4 in)	320 cm (126 in)	93 cm (36.6 in)	198 cm (78.1 in)	267 cm (105 in)	172°	85°	27 cm (10.5 in)

Model	Digging Depth	Width	Volume	Weight	Code
Backhoe 215 w/bucket 40	215 cm (84.6 in)	/	26 l (0.92 ft ³)	510 kg (1124 lbs)	C890125
Backhoe 260 w/bucket 40	260 cm (102.4 in)	/	26 l (0.92 ft ³)	580 kg (1278 lbs)	C890126

Options					
Bucket 25 cm (9.8 in)	/	25 cm (9.8 in)	15,5 l (0.55 ft ³)	25 kg (55 lbs)	C890123
Bucket 70 cm (27,5 in)	/	70 cm (27.5 in)	47 l (1.66 ft ³)	47 kg (104 lbs)	C890124
Bolt-on tooth kit (each)	/	/	/	1,7 kg (3.7 lbs)	C890007

Compatibility	1.1	2.3	4.2	5.2	5.3	6.3	7.2	8.4	8.5	11.6	11.9	EZ5	EZ7 EZ8
Model													
215													
260													

