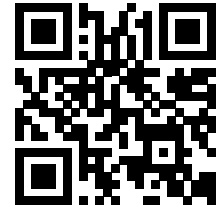


BALE HANDLER

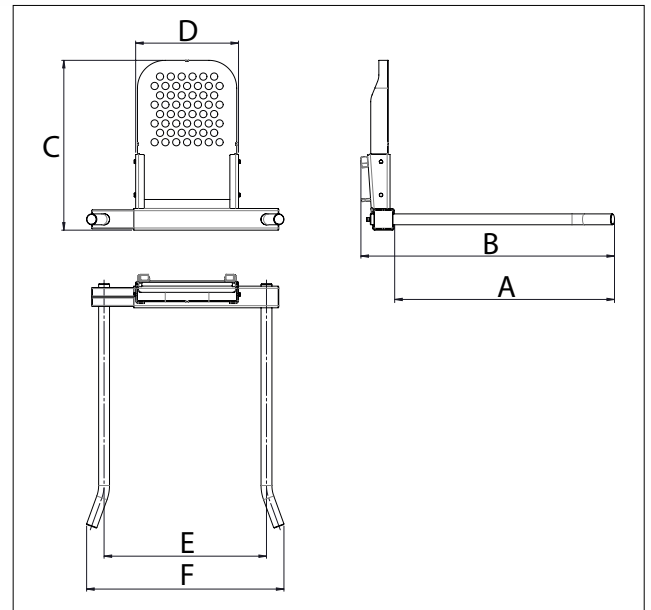
<http://tiny.cc/balehandler>



FEATURES & BENEFITS

- Fast and easy way to load and transport bales
- Work perfectly with silage, hay and straw round bales, wrapped bales or unwrapped round bales.
- Adjustable fork wide
- Equipped with rear load support frame

Multione Round Bale Handler is an economical way to handle wrapped bales, without damaging the plastic wrapping. Distance between the forks can be adjusted manually. Bale handler is a good choice if the bales can always be handled sideways and don't need to be grabbed.



Dimensions						
	A	B	C	D	E (min/max)	F (min/max)
cm	120	140	94	57	90/120	109/139
in	47.2	55.3	37	22.5	35.4/47.2	43/54.8

Model	Forks Length	Max load capacity*	Forks Width min/max	Weight	Code
Bale Handler	120 cm / 47.2 in	1000 kg (2204 lbs)	90 / 120 cm (35 / 47 in)	82 kg (180 lbs)	C890406

(*) verify the lifting capacity of the machine

Compatibility	1.1	2.3	4.2	5.2	5.3	6.3	7.2	8.4	8.5	11.6	11.9	EZ5	EZ7 EZ8
Round Bale Handler													

